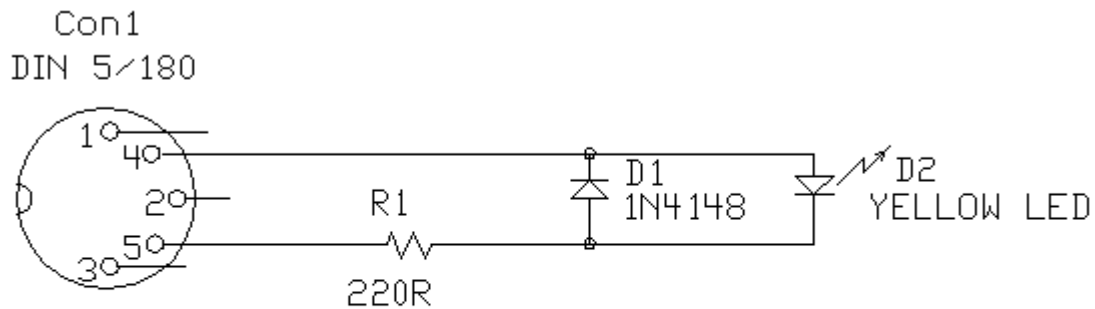


Simple MIDI interface tester

Copyright Tomi Engdahl 1995-1996

Sometimes when experimenting with different soundcards and MIDI interfaces it is useful to see if there is some data going in MIDI interface. This can be easily tested with this adapter, which converts the midi signals to visible light pulses. Just the circuit and plug it to the MIDI output of your computer. When computer sends any midi data out, you see the LED flashing. I found this tester very useful in testing homebuilt soundcard MIDI interface.



Simple midi tester
Copyright (C) Tomi Engdahl 1995

The pinout of the connector is drawn to the picture so that they are in male connector when you look to it. The best way to make sure that you build the circuit correctly is to use the pin numbers printed to the connectors itself.